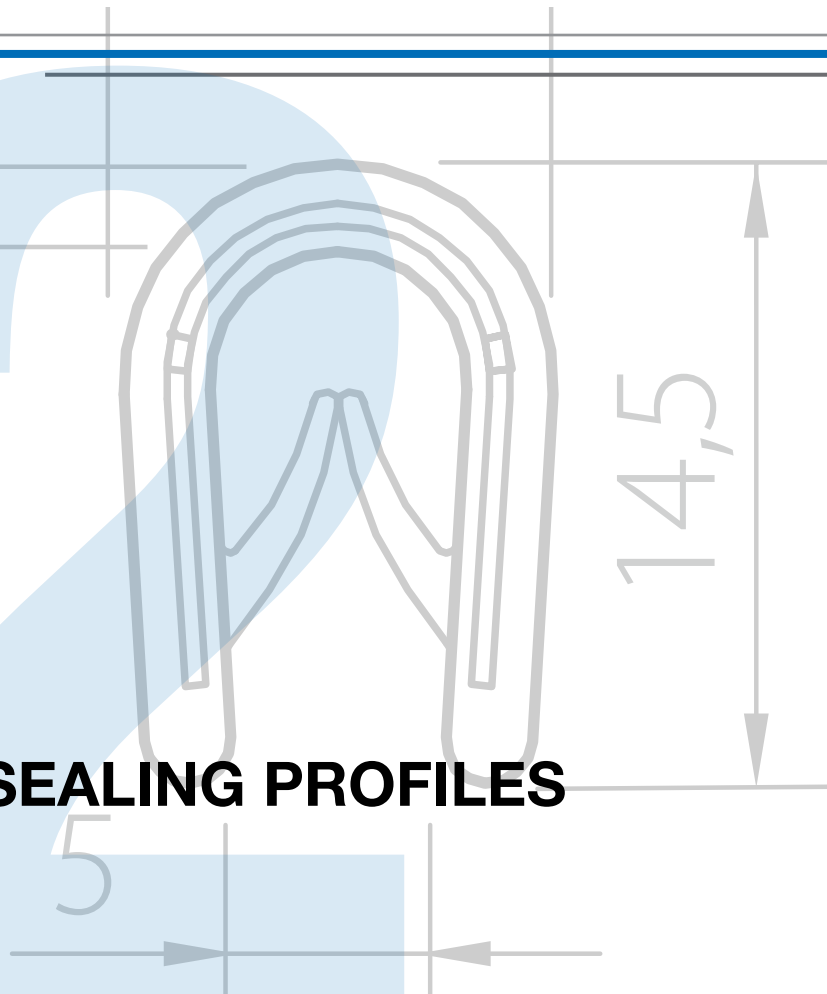
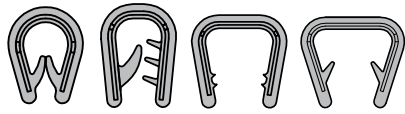




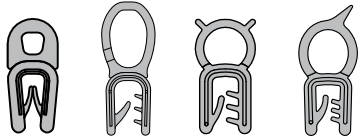
22

SEALING PROFILES

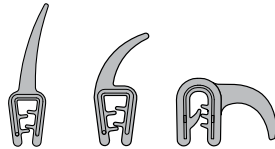




Edge protectors with steel core
page 22.1



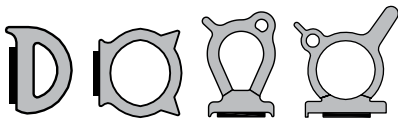
Top bubble gaskets with steel core
page 22.2



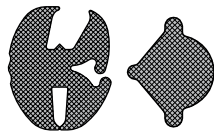
Flipper gaskets with steel core
page 22.3



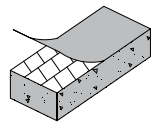
Side bubble gaskets with steel core
page 22.4



Self-adhesive foam rubber profiles
page 22.5



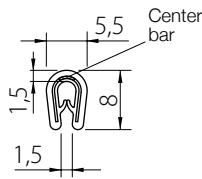
Glazing gaskets
page 22.6



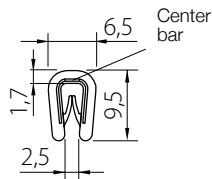
Self-adhesive closed-cell foam rubber tape
page 22.7



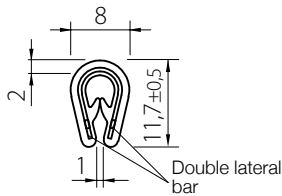
TYPE 1



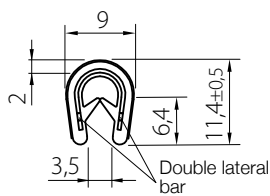
TYPE 2



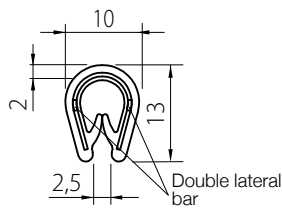
TYPE 3



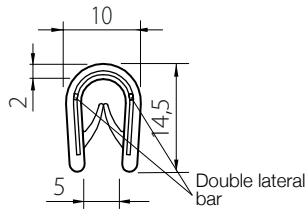
TYPE 4



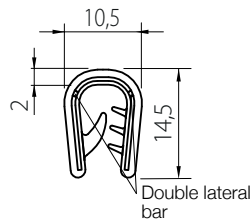
TYPE 5



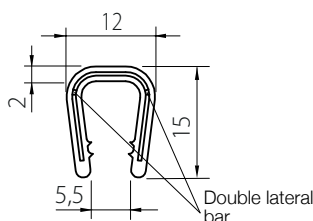
TYPE 6



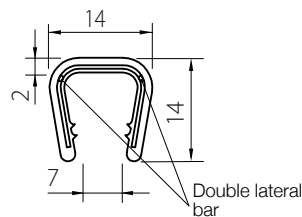
TYPE 7



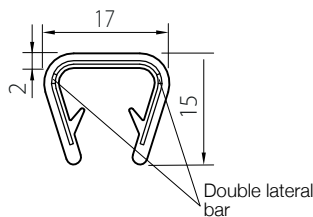
TYPE 8



TYPE 9



TYPE 10



MATERIAL

Profile: PVC (Polynivyl chloride)
Core: Spring Steel

COLOR

See table

HARDNESS

78 Shore A (±5)

CERTIFICATIONS

UNI CEI 11170-3
EN 45545 (EPDM only)

TOLERANCES

As per DIN 7715 M4

NOTES

*Colors available upon request: anthracite, light gray, dirty white.

Code	Color	Panel thickness	Type	Package (mt)
GZLBP000001N8	NE Black	0,8-1,5	1	100
GZLBP000002N8	NE Black	1,0-2,0	2	100
GZLBP000003N9	BI White	1,0-2,0	2	100
GZLBP000004P0	AG Silver	1,0-2,0	2	100
GZLBP000005N8	NE Black	1,0-2,5	3	100
GZLBP000006N8	NE Black	2,0-4,0	4	100
GZLBP000007N8	NE Black	1,0-4,0	5	100
GZLBP000008N8*	NE Black	1,0-4,0	6	100
GZLBP000009N8	NE Black	2,0-5,0	7	50
GZLBP000010N8	NE Black	6,0-8,0	8	100
GZLBP000011N8	NE Black	8,0-10,0	9	100
GZLBP000012N8	NE Black	10,0-12,0	10	100



MATERIAL (ASSEMBLED TYPE)

Clamping profile: PVC (polyvinyl chloride)
Bubble: EPDM foam
Core: Spring Steel

MATERIAL (CO-EXTRUDED TYPE)

Clamping profile: EPDM 60 Shore A (±5)
Bubble: EPDM foam
* Clamping profile: NBR (nitrile rubber)
* Bubble: NBR foam

COLOR

Black

CERTIFICATIONS

UNI CEI 11170-3
EN 45545 (EPDM only)

OPERATING TEMPERATURE (EPDM - DRY ENVIRONMENT)

-50°C ÷ 120°C

OPERATING TEMPERATURE (EPDM - WITH WATER AND VAPOR)

-50°C ÷ 130°C

OPERATING TEMPERATURE - NBR

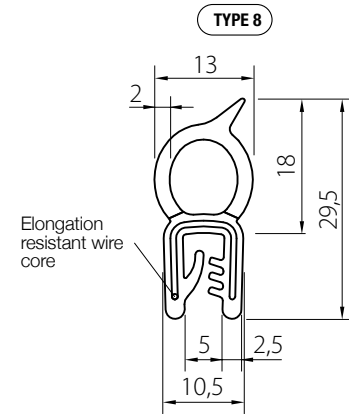
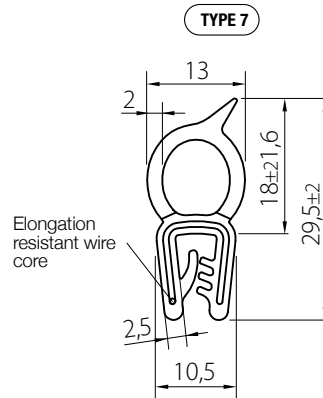
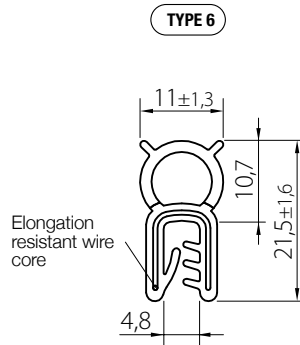
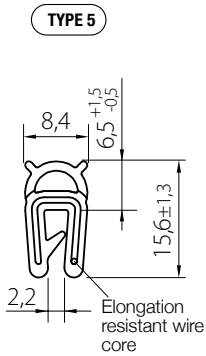
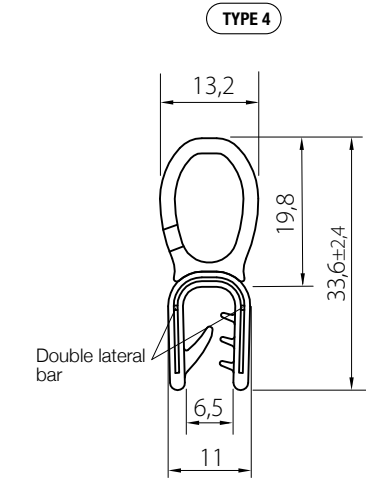
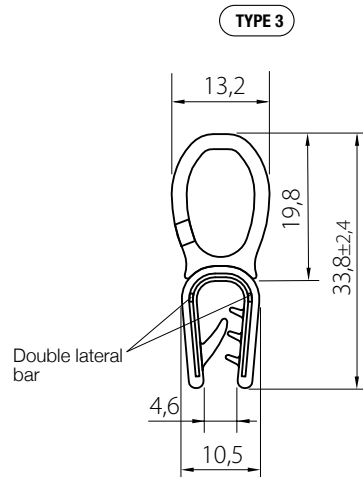
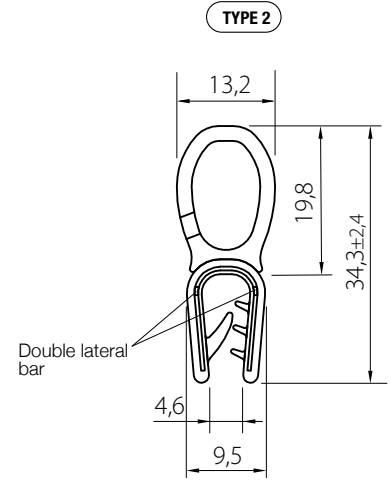
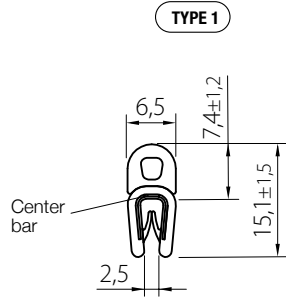
-20°C ÷ 100°C

TOLERANCES

As per DIN ISO 3302-1E2

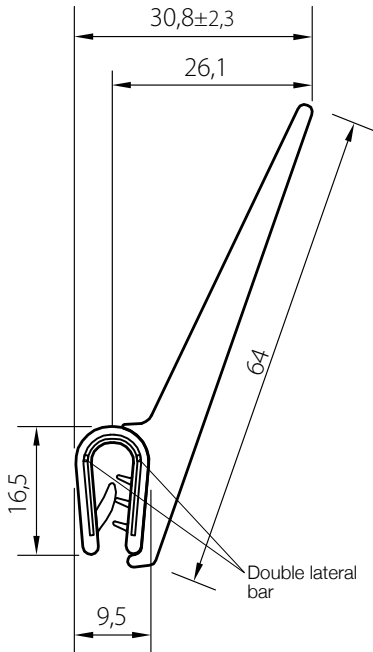
NOTES

Recommended compression for sealing corner profiles:
30-40%

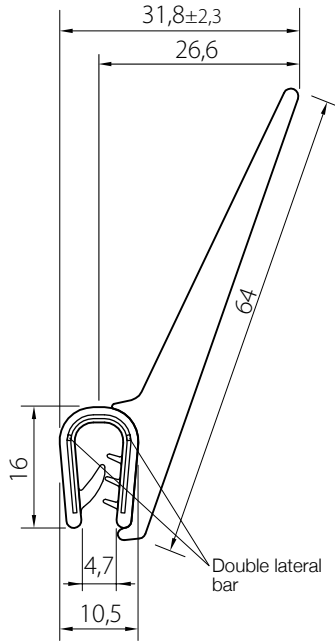


Code	Panel thickness	Type	Package (mt)
GZLCPE00001N8	1,0-2,0	1 Assembled	100
GZLCPE00002N8	1,0-2,5	2 Assembled	50
GZLCPE00003N8	2,0-4,0	3 Assembled	50
GZLCPE00004N8	4,0-6,0	4 Assembled	50
GZLCE000005N8	1,0-2,0	5 Co-extruded	100
GZLCE000006N8	1,0-3,0	6 Co-extruded	100
GZLCN000007N8*	1,0-3,0	6 Co-extruded	100
GZLCE000008N8	1,0-2,5	7 Co-extruded	100
GZLCE000009N8	2,0-4,0	8 Co-extruded	100

TYPE 1



TYPE 2



MATERIAL (ASSEMBLED TYPE)

Clamping profile: PVC (polyvinyl chloride)
Flipper: EPDM foam
Core: Spring Steel

MATERIAL (CO-EXTRUDED TYPE)

** Profile and flipper: EPDM
* Profile: EPDM
* Flipper: EPDM foam
Core: Spring Steel

COLOR

Black

CERTIFICATIONS

UNI CEI 11170-3
EN 45545 (EPDM only)

OPERATING TEMPERATURE (EPDM - DRY ENVIRONMENT)

-50°C ÷ 120°C

OPERATING TEMPERATURE (EPDM - WITH WATER AND VAPOR)

-50°C ÷ 130°C

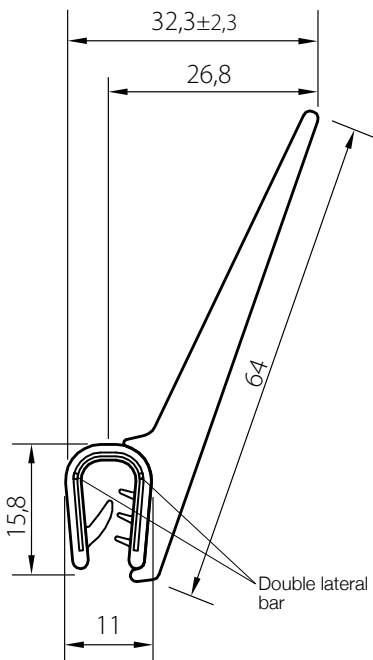
OPERATING TEMPERATURE - NBR

-20°C ÷ 100°C

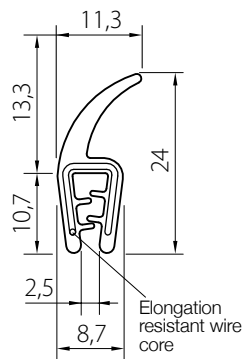
TOLERANCES

As per DIN ISO 3302-1E2

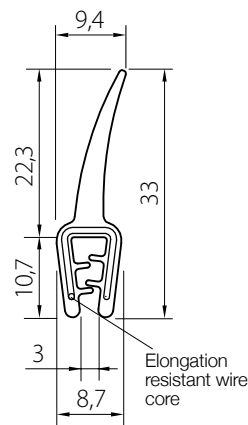
TYPE 3



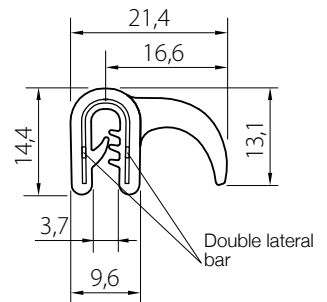
TYPE 4



TYPE 5



TYPE 6



Code	Panel thickness	Type	Profile hardness	Package (mt)
GZLFPE00001N8	1,0-2,0	1 Assembled	-	25
GZLFPE00002N8	2,0-4,0	2 Assembled	-	25
GZLFPE00003N8	4,0-6,0	3 Assembled	-	25
GZLEE000001N8**	1,0-2,5	4 Co-extruded	60 Shore A (±5)	150
GZLEE000002N8**	1,0-2,5	5 Co-extruded	65 Shore A (±5)	50
GZLFE000004N8*	1,0-2,5	6 Co-extruded	70 Shore A (±5)	100



MATERIAL (ASSEMBLED TYPE)

Clamping profile: PVC (polyvinyl chloride)
Bubble: EPDM foam
Core: Spring Steel

MATERIAL (CO-EXTRUDED TYPE)

Clamping profile: EPDM
Bubble: EPDM foam
* Clamping profile: NBR (nitrile rubber)
* Bubble: NBR foam
Core: Spring Steel

COLOR

Black

CERTIFICATIONS

UNI CEI 11170-3
EN 45545 (EPDM only)

OPERATING TEMPERATURE (EPDM - DRY ENVIRONMENT)

-50°C ÷ 120°C

OPERATING TEMPERATURE (EPDM - WITH WATER AND VAPOR)

-50°C ÷ 130°C

OPERATING TEMPERATURE - NBR

-20°C ÷ 100°C

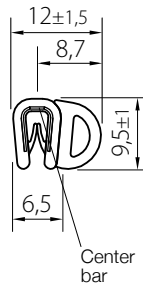
TOLERANCES

As per DIN ISO 3302-1E2

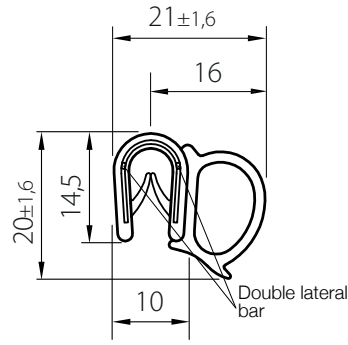
NOTES

Recommended compression for sealing corner profiles: 30-40%

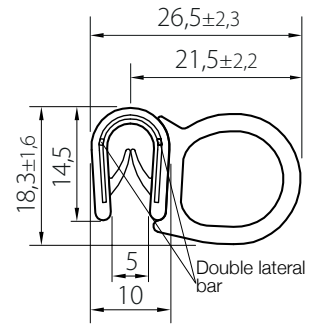
TYPE 1



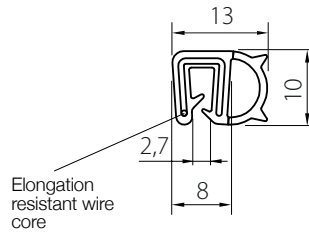
TYPE 2



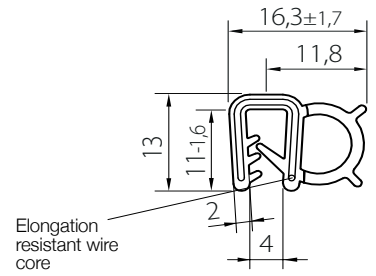
TYPE 3



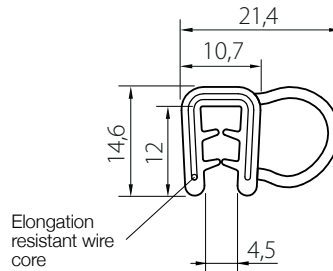
TYPE 4



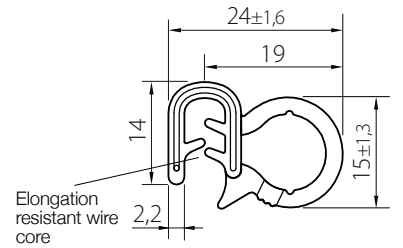
TYPE 5



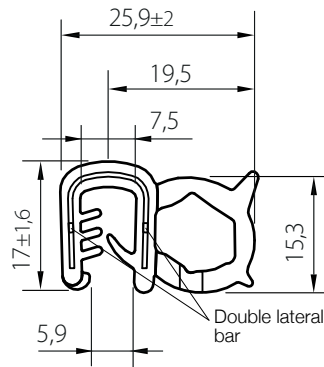
TYPE 6



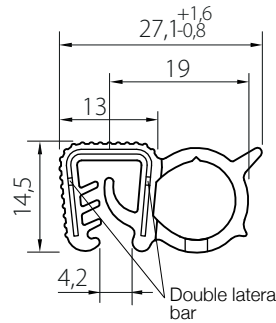
TYPE 7



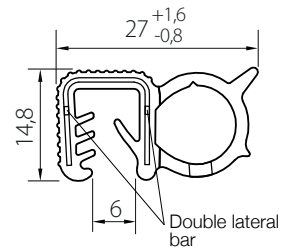
TYPE 8



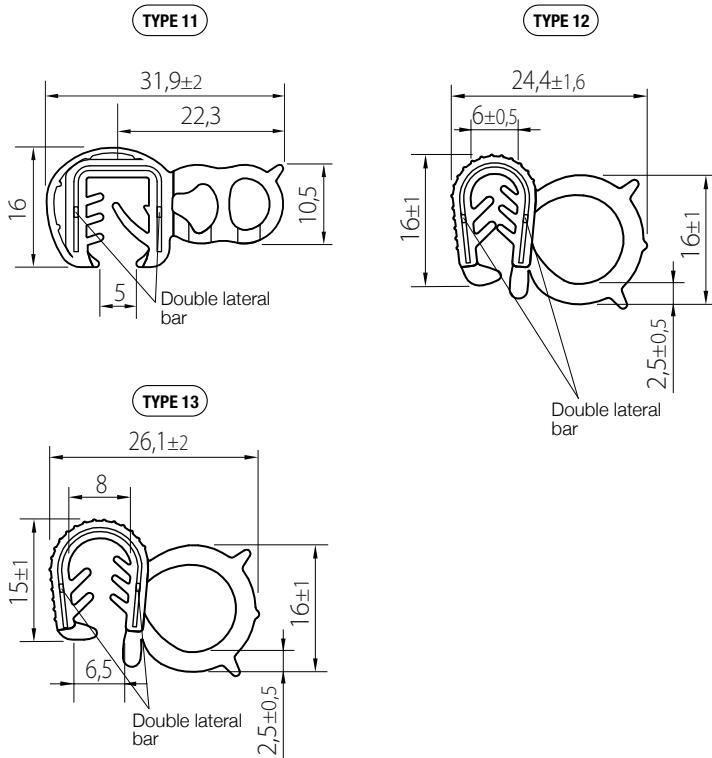
TYPE 9



TYPE 10



Code	Panel thickness	Type	Profile hardness	Package (mt)
GZLDPE00001N8	1,0-2,0	1 Assembled	-	100
GZLDPE00002N8	1,0-4,0	2 Assembled	-	50
GZLDPE00003N8	1,0-4,0	3 Assembled	-	50
GZLDE000004N8	1,0-2,5	4 Co-extruded	60 Shore A (±5)	100
GZLDE000005N8	2,0	5 Co-extruded	65 Shore A (±5)	100
GZLDN000006N8*	2,0	5 Co-extruded	-	100
GZLDE000007N8	1,5-3,0	6 Co-extruded	65 Shore A (±5)	100
GZLDE000008N8	2,0-4,0	7 Co-extruded	70 Shore A (±5)	50
GZLDE000009N8	5,0-6,0	8 Co-extruded	65 Shore A (±5)	50
GZLDE000010N8	2,0-4,0	9 Co-extruded	60 Shore A (±5)	75
GZLDE000011N8	5,0-6,0	10 Co-extruded	65 Shore A (±5)	75



MATERIAL (CO-EXTRUDED TYPE)

Clamping profile: EPDM
 Bubble: EPDM foam
 * Clamping profile: NBR (nitrile rubber)
 * Bubble: NBR foam
 Core: Spring Steel

COLOR

Black

CERTIFICATIONS

UNI CEI 11170-3
 EN 45545 (EPDM only)

OPERATING TEMPERATURE (EPDM - DRY ENVIRONMENT)

-50°C ÷ 120°C

OPERATING TEMPERATURE (EPDM - WITH WATER AND VAPOR)

-50°C ÷ 130°C

OPERATING TEMPERATURE - NBR

-20°C ÷ 100°C

TOLERANCES

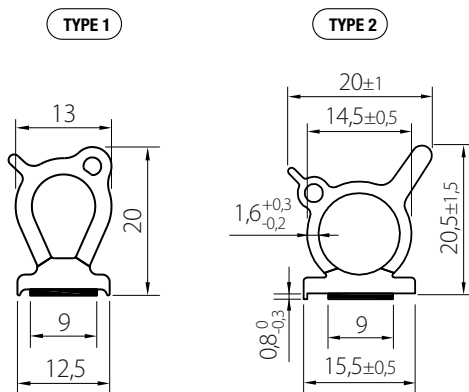
As per DIN ISO 3302-1E2

NOTES

Recommended compression for sealing corner profiles:
 30-40%

Code	Panel thickness	Type	Profile hardness	Package (mt)
GZLDE000010N8	2,0-4,0	11 Co-extruded	60 Shore A (±5)	75
GZLDE000013N8	4,0-6,0	12 Co-extruded	70 Shore A (±5)	25
GZLDE000014N8	2,0-4,0	13 Co-extruded	70 Shore A (±5)	25

GZLHE SELF-ADHESIVE FOAM RUBBER PROFILES



MATERIAL

Profile: EPDM
 Bubble: EPDM foam
 Adhesive: acrylic foam

COLOR

Black

CERTIFICATIONS

UNI CEI 11170-3
 EN 45545 (EPDM only)

OPERATING TEMPERATURE (EPDM - DRY ENVIRONMENT)

-50°C ÷ 120°C

OPERATING TEMPERATURE (EPDM - WITH WATER AND VAPOR)

-50°C ÷ 130°C

TOLERANCES

As per DIN ISO 3302-1E2

Code	Type	Adhesive width	Hardness	Package (mt)
GZLHE000001N8	1	9	65 Shore A (±5)	125
GZLHE000002N8	2	9	75 Shore A (±5)	125



MATERIAL

EPDM foam
Adhesive: acrylic foam

COLOR

Black

CERTIFICATIONS

UNI CEI 11170-3
EN 45545 (EPDM only)

OPERATING TEMPERATURE (EPDM - DRY ENVIRONMENT)

-50°C ÷ 120°C

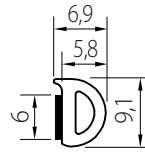
OPERATING TEMPERATURE (EPDM - WITH WATER AND VAPOR)

-50°C ÷ 130°C

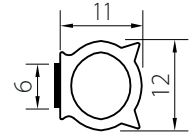
TOLERANCES

As per DIN ISO 3302-1E2

TYPE 1



TYPE 2



Code	Type	Adhesive width	Package (mt)
GZLHE000004N8	1	6	75
GZLHE000003N8	2	6	100

GLAZING GASKETS

GZLGE

MATERIAL

Profile: EPDM
Clamping core: EPDM 80 Shore (±5)

COLOR

Black

CERTIFICATIONS

UNI CEI 11170-3
EN 45545 (EPDM only)

OPERATING TEMPERATURE (EPDM - DRY ENVIRONMENT)

-50°C ÷ 120°C

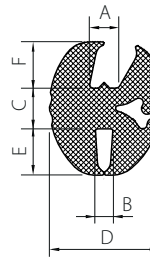
OPERATING TEMPERATURE (EPDM - WITH WATER AND VAPOR)

-50°C ÷ 130°C

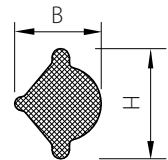
TOLERANCES

As per DIN ISO 3302-1E2

Profile



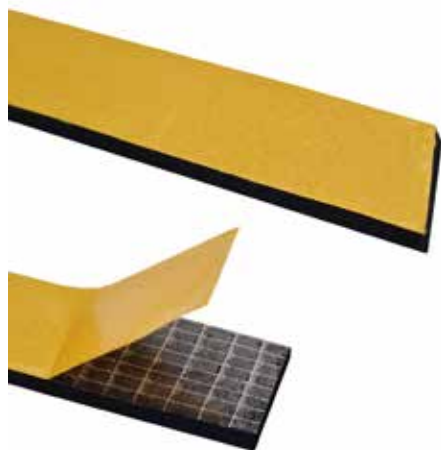
Clamping core



Profile code	Profile type	A	B	C	D	E	F	Bending radius	Hardness	Package (mt)
GZLGE000001N8	1	3	2	4	10,2	3	3	80	65 Shore A (±5)	50
GZLGE000002N8	2	4	3	4	12,6	5	6	35	70 Shore A (±5)	25
GZLGE000003N8	3	5	3	7	19	8	8	90	65 Shore A (±5)	20

Code clamping core	Type of profile to combine	H	B	Package (mt)
GZLGE000004N8	1	5,5	4,5	50
GZLGE000005N8	2	7,0	6,0	50
GZLGE000006N8	3	9,5	7,5	50

1
2
3
4
5
6
7
8
9
10
11
12
13
14
15
16
17
18
19
20
21
22



MATERIAL
EPDM

COLOR
NE Black

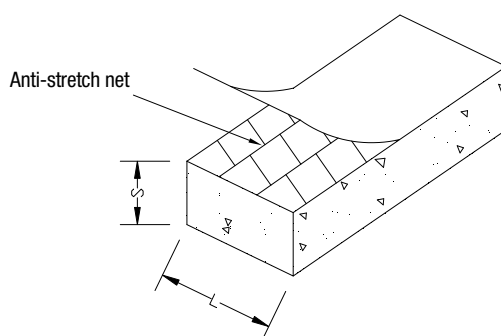
RUBBER HARDNESS
25-45 Shore 00

SELF-EXTINGUISHING
thickness \geq 9mm UL94 grade HBF
thickness \geq 3mm \leq 9mm FMVSS 302

CONTINUOUS TEMPERATURE
-40°C ÷ 100°C

INTERMITTENT TEMPERATURE
120°C for 5 hours

NOTES
Available in special compounds with UL certifications, EN45545 for the Railway sector, or compounds with specific chemical, ageing or anti-bacterial properties.



Code NE	S	L	Package (mt)
GZLME000001N8	3	5	20
GZLME000002N8	3	10	10
GZLME000003N8	3	15	10
GZLME000004N8	3	20	10
GZLME000005N8	3	30	10
GZLME000006N8	3	40	20
GZLME000007N8	3	50	10
GZLME000008N8	5	5	10
GZLME000009N8	5	6	10
GZLME000010N8	5	10	10
GZLME000011N8	5	15	10
GZLME000012N8	5	20	10
GZLME000013N8	5	30	10
GZLME000014N8	5	40	10
GZLME000015N8	5	50	20
GZLME000016N8	10	10	10
GZLME000017N8	10	15	10
GZLME000018N8	10	20	10
GZLME000019N8	10	30	10
GZLME000020N8	10	40	10
GZLME000021N8	10	50	10
GZLME000022N8	15	15	5
GZLME000023N8	15	20	5
GZLME000024N8	15	30	5
GZLME000025N8	15	40	5
GZLME000026N8	15	50	5
GZLME000027N8	20	20	5
GZLME000028N8	20	30	5
GZLME000029N8	20	40	5
GZLME000030N8	20	50	5

